

Operating Instructions and Spare Parts List For

Pneumatic Stirrer
Type: RL-72

DOK-031-GB Rev. 1

Article-No.: 630.-090-....

- keep for further use -

CE

Krautzberger 

Operating Instructions for Pneumatic Stirrer Type RL-72

Application

The pneumatic stirrer is designed for stirring material and agents whose components are likely to form deposits. Thus efficient stirring keeps these components afloat in view of their proper processing.

Start-up

To begin with, connect the stirrer to the compressed air supply system (max. 8bar, dried compressed air). When idling, the speed of the stirrer wing should not exceed 100rpm at 6 bar. (These data are being set in our works).

In case the actual speed should vary up or down it maybe lowered by turning said screw (32) counter-clockwise.

Operation

Depending on the properties of the material to be actually processed, the most favorable speed is likely to be comprised between 60 and 80 rpm. Possible speed modifications maybe operated as described in above paragraph.

The stirrer may only be operated in vertical position. Whenever tilted oil would leak out of the venting screw.

When installing the stirrer in or removing it out of the material container, make sure that the stirrer wing not be damaged due to inappropriate handling.

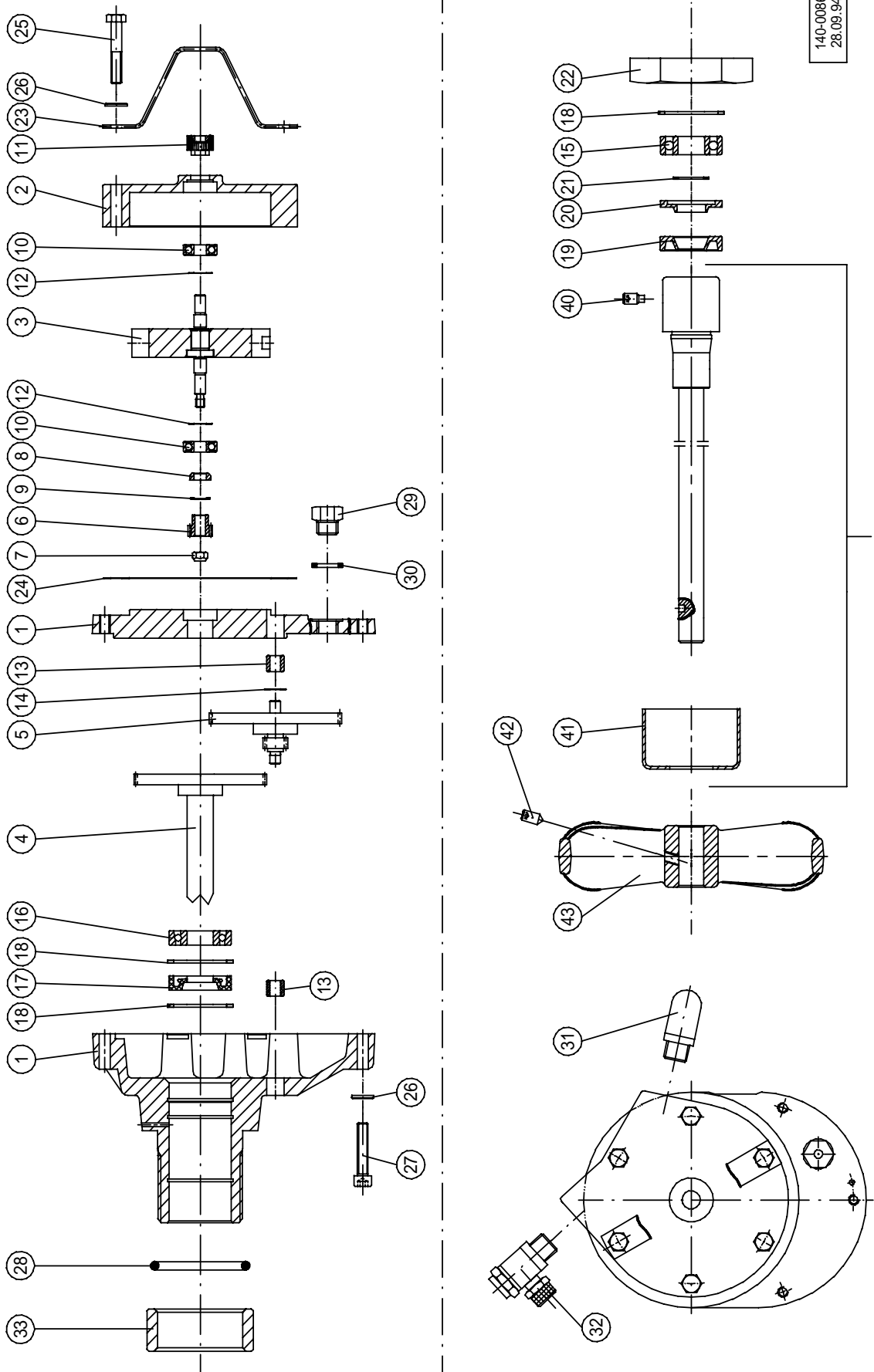
Maintenance

Keep always clean the outer parts of the stirrer.

The gear box oil (180ml), SAE 80W, contained in the pneumatic drive should be exchanged after approx. 1000 service hours or once a year.

Spare parts list for pneumatic stirrer Type: RL 72

Pos.	Artikel-Nr.	Bezeichnung
1	6300-080-0798	gear box housing with cover
2	6300-040-2035	turbine housing
3	6300-080-0325	turbine wheel with shaft
4	6300-080-0324	drive shaft
5	6300-080-0326	intermediate wheel
6	6300-040-0839	sprocket
7	6300-030-2922	nut
8	6300-040-0573	disc
9	6300-030-3021	disc
10	6300-030-2847	ball bearing (2pcs)
11	6300-040-0840	checking wheel
12	6300-030-1925	setting disc (2pcs)
13	6300-030-2853	needle sleeve (2pcs)
14	6300-030-1924	setting disc
15	6300-030-2851	ball bearing
16	6300-030-2845	ball bearing
17	6300-010-0101	gasket
18	6300-030-2793	safety ring (3pcs)
19	6300-010-0231	gasket
20	6300-040-0834	support ring
21	6300-030-2765	safety ring
22	6300-030-5257	nut
23	6300-040-0841	bracket
24	6300-010-0104	gasket
25	6300-030-2957	screw (6pcs)
26	6300-030-2862	disc (12pcs)
27	6300-030-0137	screws (6pcs)
28	6300-010-0102	gasket
29	6300-080-5751	pressure relieve screw
30	6300-010-0105	gasket
31	6300-030-1442	silencer
32	6300-030-1927	throttle valve
33	6300-040-0634	spacer ring (for pressureless containers)
40	6300-030-0441	Threaded pin
41	6300-040-0630	flooding sleeve
42	6300-030-0418	threaded pin
43	see table	stirrer wing (includ. item 42)
44	see table	stirrer shaft



Pneumatically and electrically operated stirrer

Table evidencing available stirrer shafts and wings for material containers

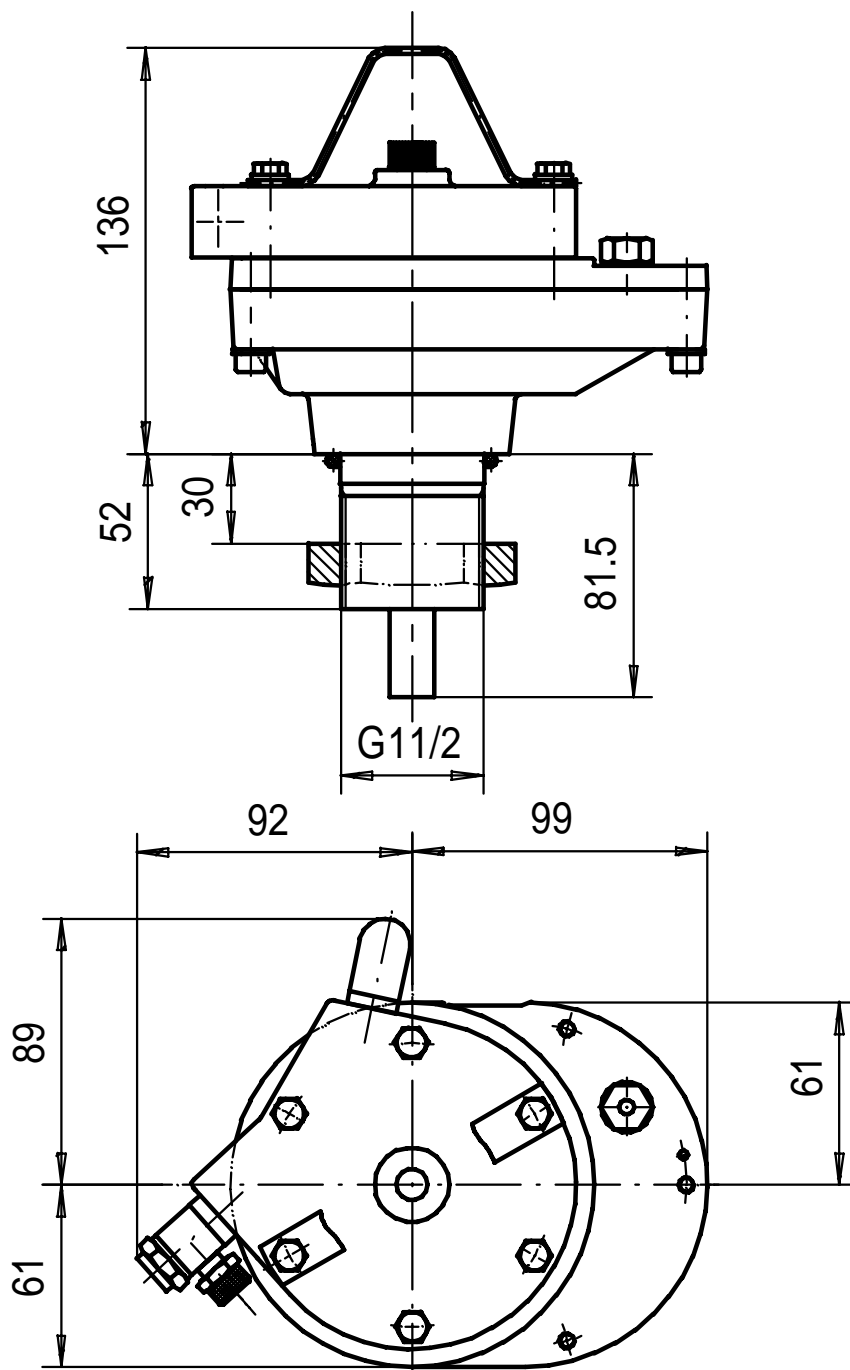
X = standard

O = on request

container, type and contents		suitable stirrer shaft item 44 Article No.	suitable stirrer wing 43					Sonderausführung Article No.
			aluminium version			special steel version		
			∅ 150	∅ 185	∅ 260	∅ 120	∅ 145	
			Article No. 6301-080-0787	Article No. 6302-080-0788	Article No. No.6303-080-0789	Article No. 6430-080-1175	Article No. 430-080-1176	
Pressure Containers	20 L	6301-080-0792	X			O	X	
	Hobbock 50 L	6304-080-0795	O	X		O	X	
	100 L	6303-080-0794	O	O	X	O	X	
ressureless containers	Hobbock 25 L	6311-080-0790	X			O	X	
	50 L	6314-080-1318	X			O	X	
	100 L	6315-080-1319	O	X		O	X	
	150 L		O	O	X			
	200 L	6316-080-1322	O	O	X	O	X	
	Faß 200 L (M 7, DIN 6644)	6305-080-0796		O	X		O	
	250 L	6316-080-1322		O	X			
	300 L	6317-080-0794		O	X			
	350 L							
	400 L							
	450 L	6318-080-1324		O	X			
	500 L							
	30 L	6319-080-1750	X			O	X	
25 L	6321-080-1756	X			O	X		

7. Technical data

operating pressure	max. 8 bar
speed	max. 100 min ⁻¹
torque/at bar	1.5 Nm / 6 bar
air consumption/at bar	160 L/min / 6 bar
air connection	Schlauch \varnothing 8/6
weight (pneumatic motor)	3,2 Kg





EC-conformity declaration

in compliance with the EC-machine directive 89/392/CEE/annex IIA

The undersigned

Krautzberger GmbH, Spritztechnik
Stockbornstrasse 13
65343 Eltville am Rhein

declare that the machine specified hereinafter, with regard to its conception and design as well as to its version, such as marketed by us complies with the applicable basic safety and health requirements as per EC directives. In case of a modification whatsoever of the machine this declaration is devoid any validity.

Designation of the machine	Pneumatic stirrer
Machine type	RL 72
Maschine-No.	630.090-....
Applicable EC-directives	EC-machine directive (89/392/EWG)
applied harmonized standards	EN 292-1 EN 292-2
applied national standards	ZH 1 / 406 VBG / 1 VBG / 5

Eltville, 14.11.2000

head of design